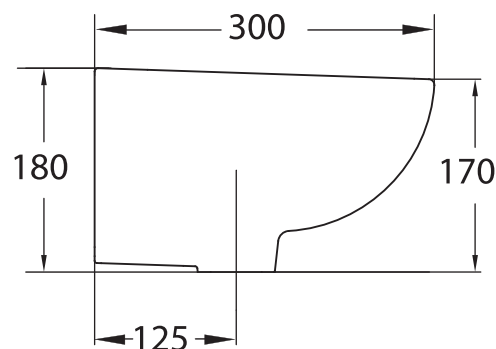
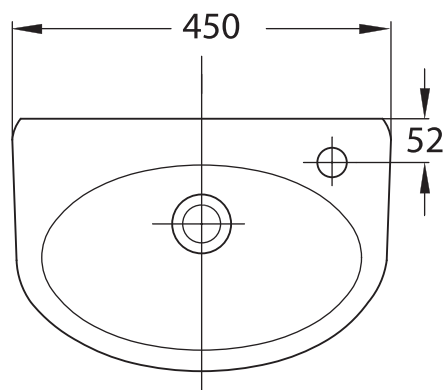


# AMERICAN STANDARD

## STUDIO WALL BASIN 450MM



Dimensions are nominal measurements only.

### SPECIFICATION

Recommended Use	Domestic, hotel or commercial
Material	Vitreous China
Weight	9kg
Fixing	Basin to wall using fixing bolts supplied
Integrated Overflow	Yes
Tap Hole Availability	1 right taphole
Plug & Waste	Suits 32 x 40mm overflow waste (Not supplied)
Capacity	2 litres
Colour Availability	White



### CLEANING RECOMMENDATIONS

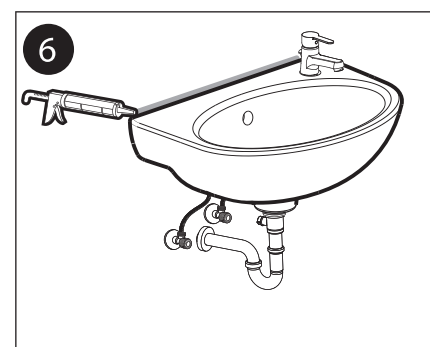
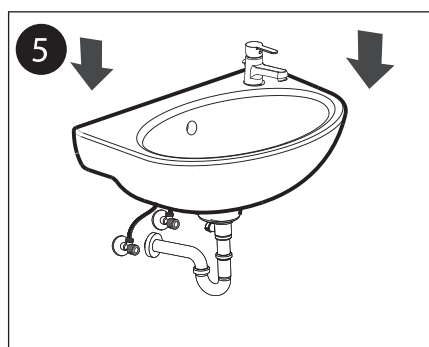
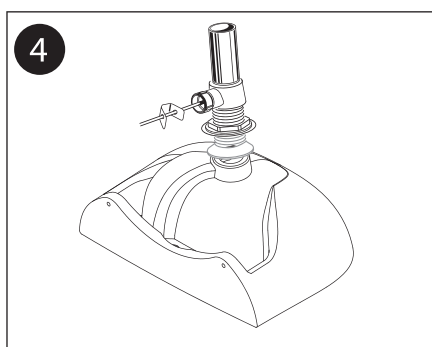
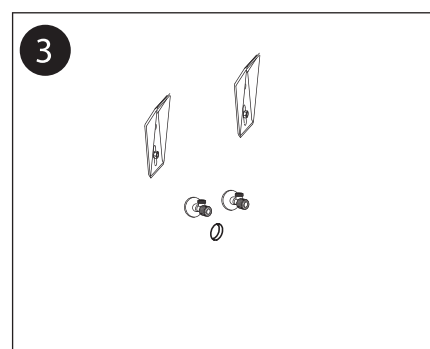
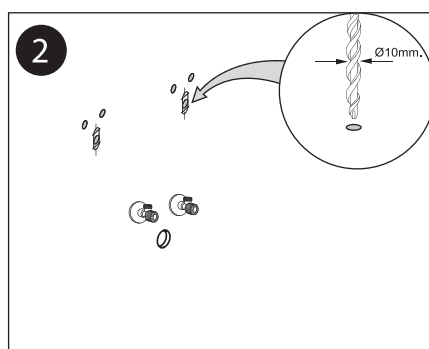
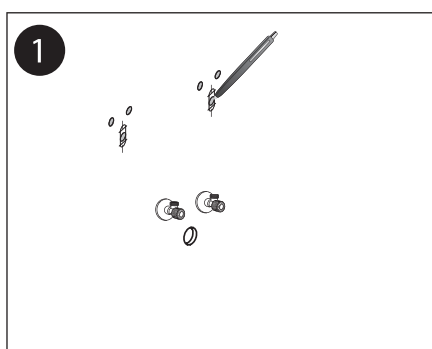
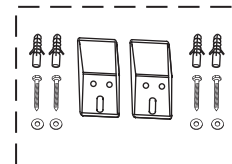
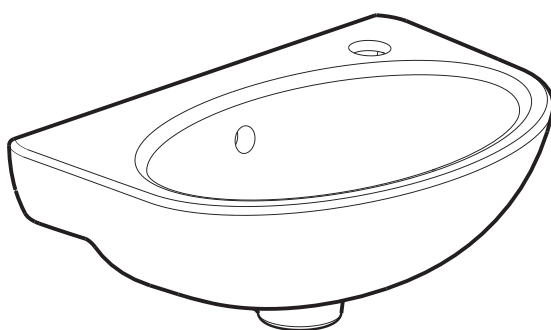
We recommend the use of soapy water or approved cleaners.

This product should not be cleaned with abrasive materials.

Damage caused by any improper treatment is not covered by the product warranty. Refer to Warranty Conditions.

# AMERICAN STANDARD STUDIO WALL BASIN 450MM

## INSTALLATION INSTRUCTIONS



Note: If fixing to timber framed walls or partitioning, the wall should be reinforced with noggins to receive the fixing bolts .

Plumbers, please ensure a copy of the installation instructions is left with the end user for future reference

*American  
Standard*